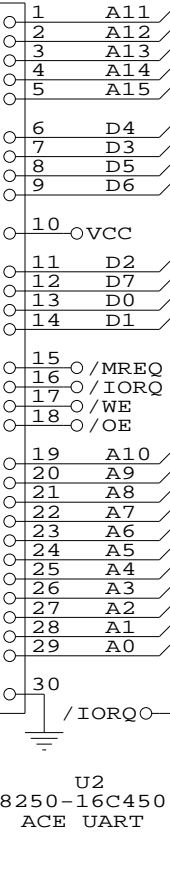
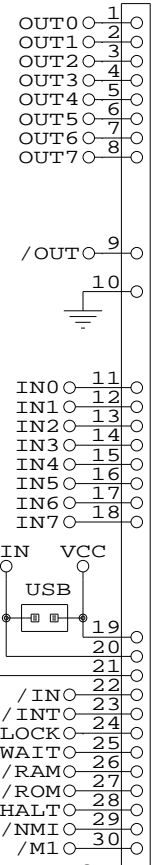
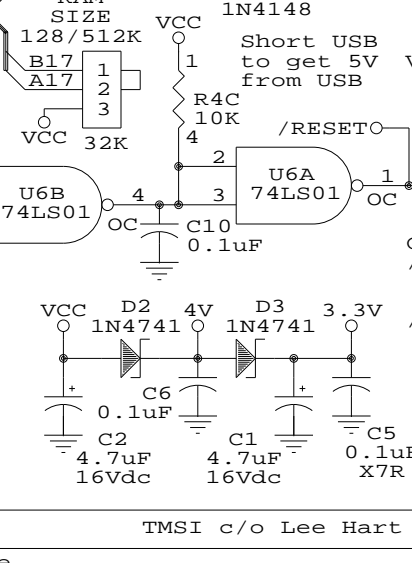
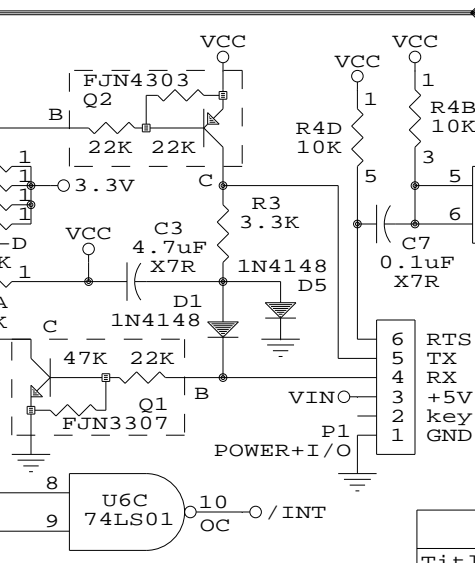
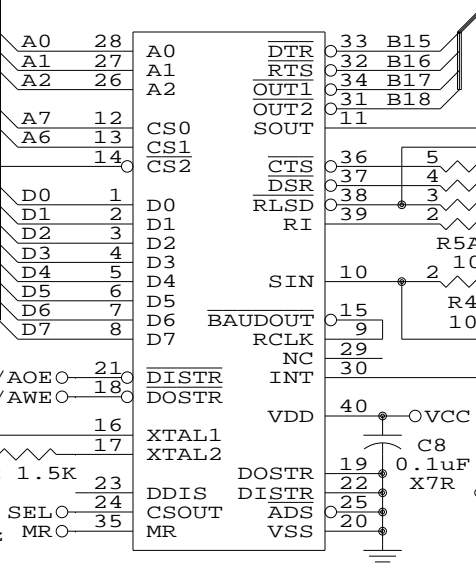
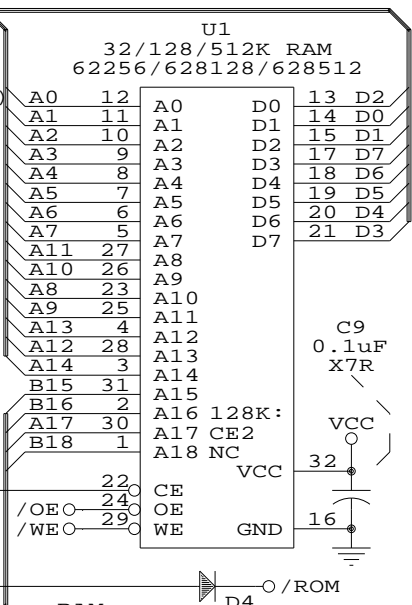
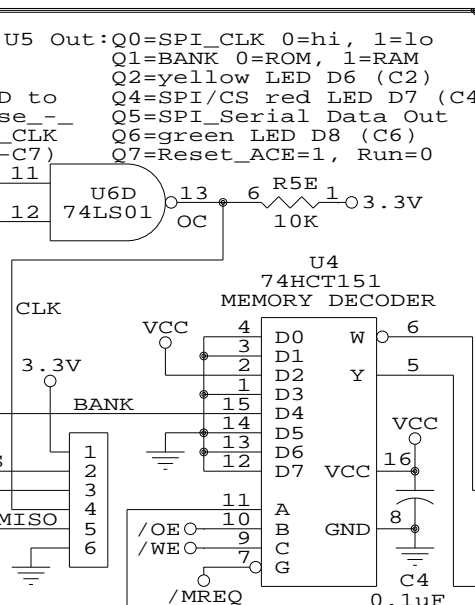
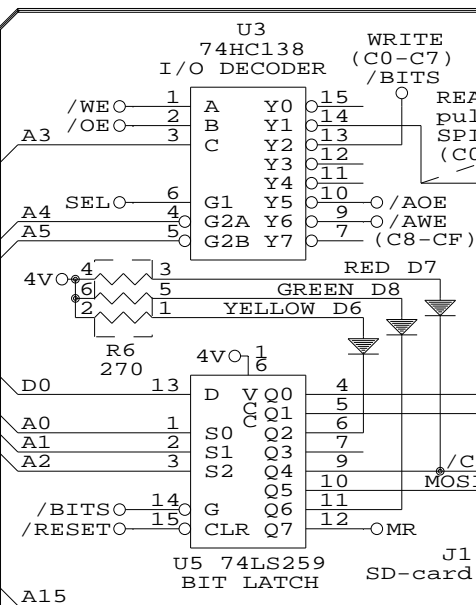
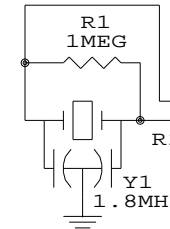


JP1 MEMORY MOLEX KK & PIN HEADER



U2 8250-16C450 ACE UART



JP2 POWER-I/O MOLEX KK and PIN HEADER

1. Uses C1-10, D1-8, J1, P1, JP1-2, R1-6, U1-6, Y1.
2. P1 fits Sparkfun USB-serial cable; provides VIN=5v and serial I/O. For TTL serial, remove Q1,Q2,D1,C3,R3. Short Q1 B-C and Q2 B-C.
3. If VIN=5v, VCC=4.7v (from U8 on CPU board). Zener Q1 Vf=0.7v, so U5 VCC=4v. U5 is 74LS so Vin>VCC is OK, and its outputs are ~3.3v. Zener D3 Vf=0.7v, which drops 4v to 3.3v for SD-card.

TMSI c/o Lee Hart		
Title		
Z80-MC Serial/RAM/SDcard Board		
Size	Document Number	REV
A	C:\ORCAD\SHEET\Z80\Z80-SIOB.SCH	B
Date:	February 28, 2017	Sheet 1 of 1